



## JZX-22F Miniature Power Relay

### 1. General

- 1.1 3A, 5A switching current
- 1.2 Various sockets available
- 1.3 With indicator to be selected
- 1.4 Full range of AC and DC coil
- 1.5 Certificate: CE, UL.

## 2. Type designation

JZX-22F (D) / 006 - ZZ 1 1

Installation: 1=top flange type;  
2=lateral flange type;  
blank=standard type

Termination: 1=PCB, 6=Plug-in

Contact arrangement ZZ=2C;  
3Z=3C;  
4Z=4C

Coil type: ~ = AC;  
- = DC

Coil voltage : DC: 5V~220V;  
AC: 6V~380V

Type:

D=with LED indicator;

B=With LED indicator and surge withstand;

M=With arc suppression cover (only 4C);

Blank=Standard

Series

## 3. Technical data

Contact Arrangement		2C	3C	4C
Initial contact resistance	m Ω	100		
Contact material		Silver alloy		
Rated load(resistive)		5A/220VAC	3A/220VAC	
		5A/28VDC	3A/28VDC	
MAX. switching voltage	VAC	250		
	VDC	125		
MAX. switching current	A	5	3	
	VA	1100VA	660VA	
Max. switching capacity	W	140	84	
Electrical endurance	Cycles(×10 <sup>3</sup> )	100		
Machanical endurance	Cycles(×10 <sup>6</sup> )	10		

## 4. Coil specification

AC

Rated voltage	Holding voltage	Must drop-out voltage	Operating range	Power consumption
6	80%Un	20%Un	(80%~110%)Un	1.8VA
12				
24				
36				
48				
110				
127				
220				
230				
380				



DC

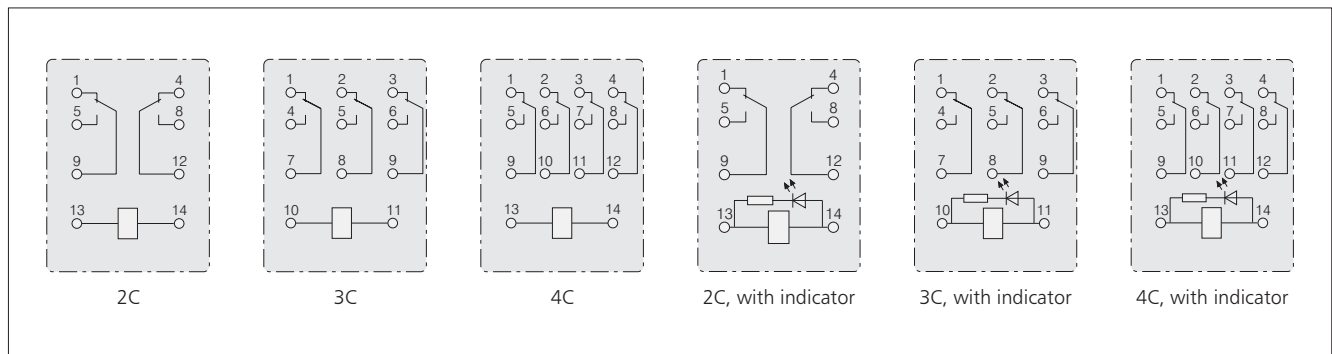
Rated voltage	Holding voltage	Must drop-out voltage	Operating range	Power consumption
5	75%Un	10%Un	(75%~110%) Un	0.9W
6				
12				
24				
36				
48				
110				
127				
220				

5. Characteristics

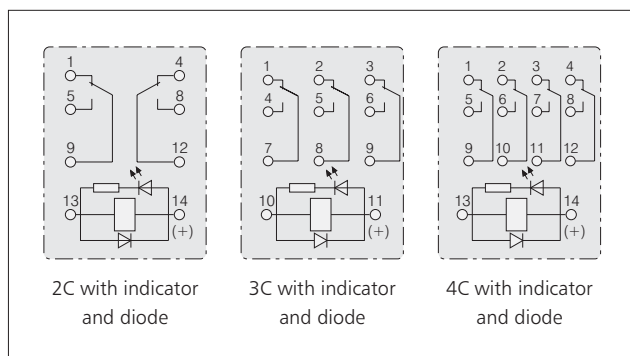
Insulation resistance(at 500VDC)		MΩ	100
Dielectric strength	Between coil & contacts		1500VAC
	Between open contacts		500VAC
Operation time		ms	≤25
Release time		ms	≤25
Shock resistance		m/s <sup>2</sup>	100
Vibration			(10~55)Hz, 1mm double amplitude
Humidity			90% RH at +40℃
Ambient temperature range		℃	-25~+55
Termination			Plug-in, PCB
Dimension		mm	27.5×21.5×35.5

6. Overall mounting dimensions (mm)

Internal connection(bottom view)



Internal connection(bottom view)



PCB mounting poles

