



JDM3 Electronic Counter

1. General

JDM3 electronic counter has built-in lithium battery and small overall dimensions and is used to provide counting in various types of circuits.

2. Type designation

JDM 3 - □ □ □

L: low speed counting, 10 times/second;
H: high speed counting, 200 times/second.

Blank: without voltage input;
V: DC voltage input;
A: AC voltage input.

Counting digits: 6: 6-digit counting;
8: 8-digit counting.

Design sequence No.

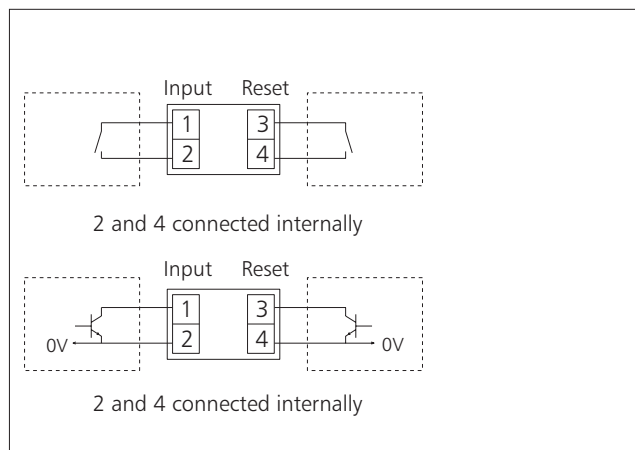
Counter

3. Technical data

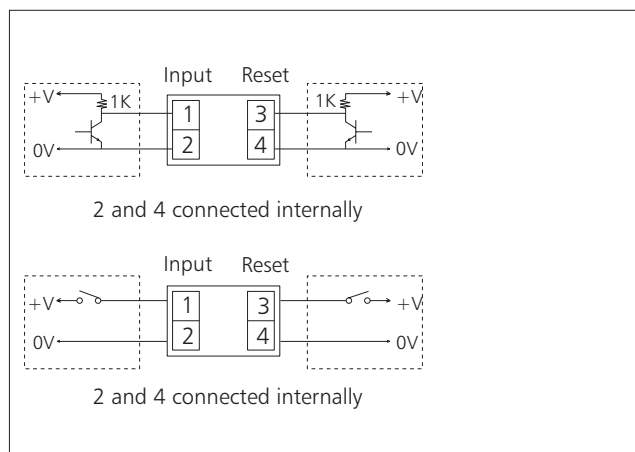
Power supply	Internal power supply
Battery life	Approximately 6 years (25°C)
Display mode	LCD display, zero elimination type (zero display type available upon request)
Output mode	Without output
Counting digits	6-digit counter or 8-digit counter
Counting rate	10 times/second or 200 times/second
Counting mode	Addition counting
	Maximum contact on resistance: ≤10kΩ (counting ON)
Without voltage input	Minimum contact off resistance: ≥500kΩ (counting OFF)
	Maximum input residual voltage: 0.5V
DC voltage input	L: DC0V-2V H: 4V-30V (H active) (input impedance: ≥4.7kΩ)
AC voltage input	AC/DC 24V~240V
Reset mode	Panel push-button reset (6-digit), external terminal reset (6-digit, 8-digit)
Minimum reset pulse width	≥0.2s
Counting error	≤±1 time
Ambient temperature	-5°C~+40°C
Mounting type	Panel type
Overall dimensions	W48×H24×L52.9mm
Opening size	W45×H22.5mm

4. Wiring diagram

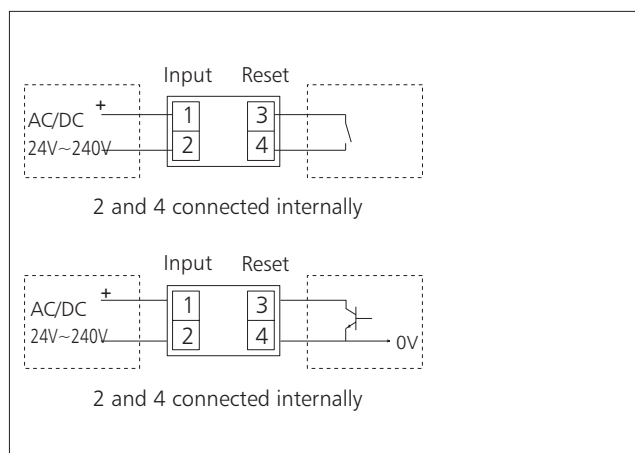
JDM3 (without voltage input)



JDM3 (DC voltage input)



JDM3 (AC voltage input)



5. Overall and mounting dimensions (mm)

